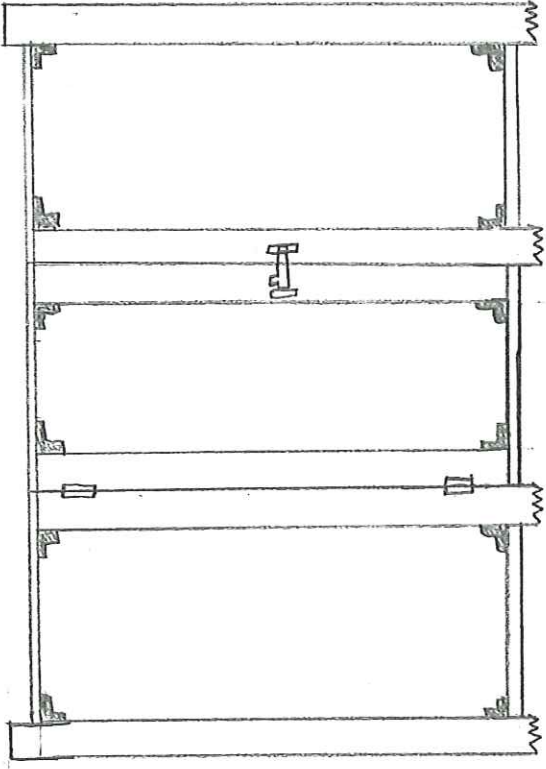
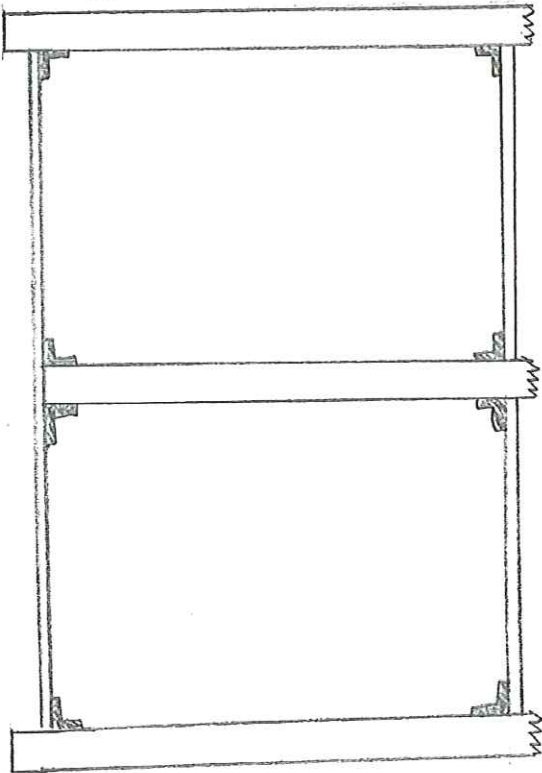


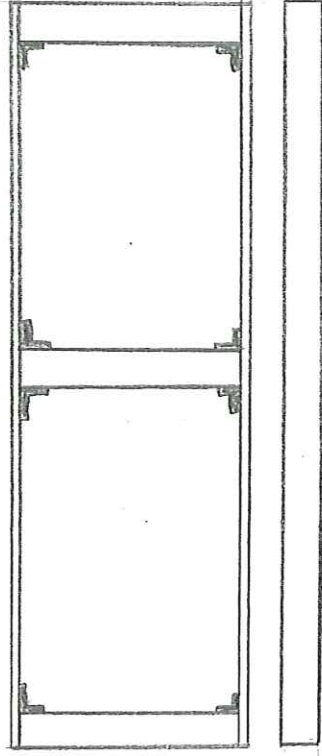
Front Elevation:



Rear Elevation



Roof Section  
x 2



Apex Beam

Key  - Bracket (see photo 8)

 - Door hinge

 - Sliding Bolt

Timber posts - 10cm x 10cm  
~~20cm x 20cm~~

Timber lengths - 10cm x 1.5cm

